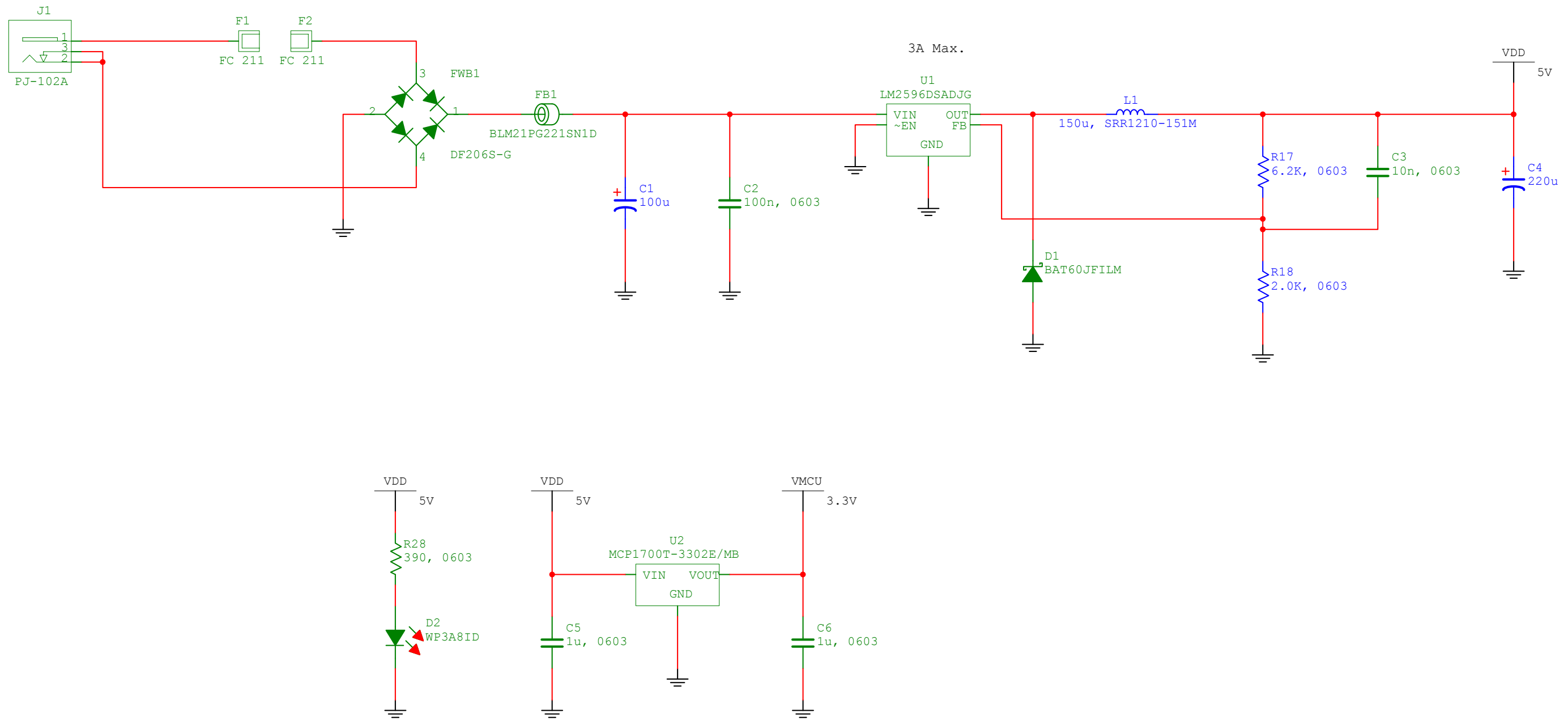


Power Supply

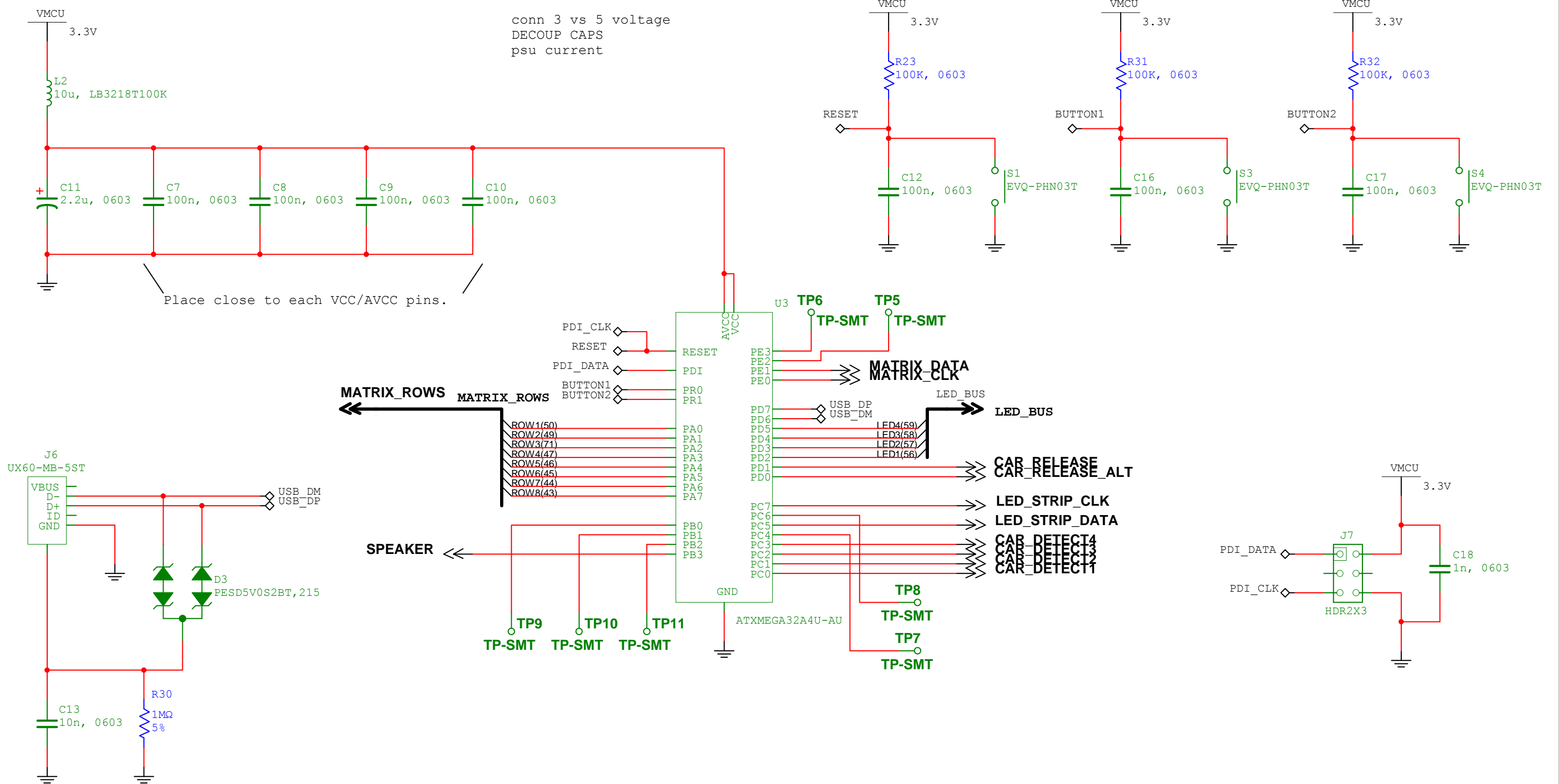


PAGE	DESCRIPTION
1	Power Supply
2	Microcontroller
3	I/O
4-6	Matrix Driver

Title: MATRIX_InterfaceBoard		
Author: Mark Wylie		
Size: A0	Document: 0001	Revision: A
Date: 2013-11-04	Sheet 1 of 7	

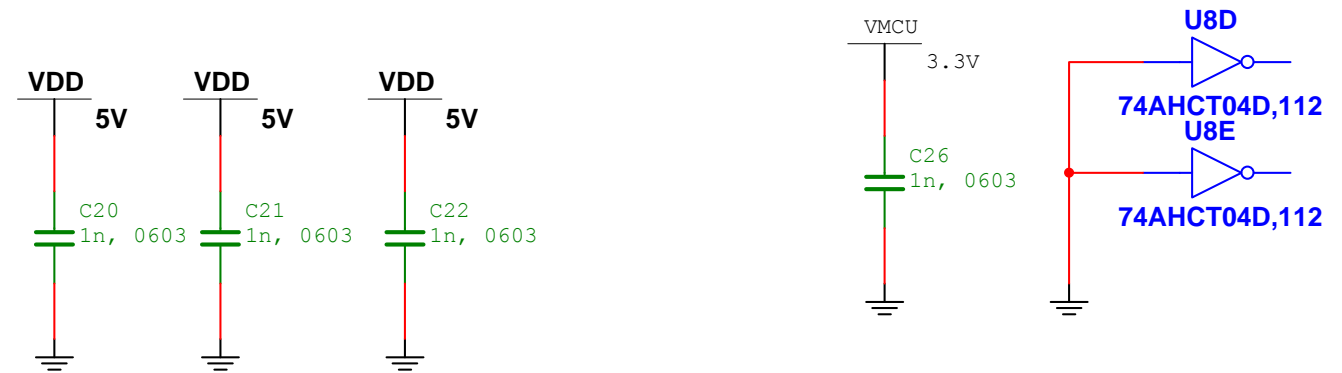
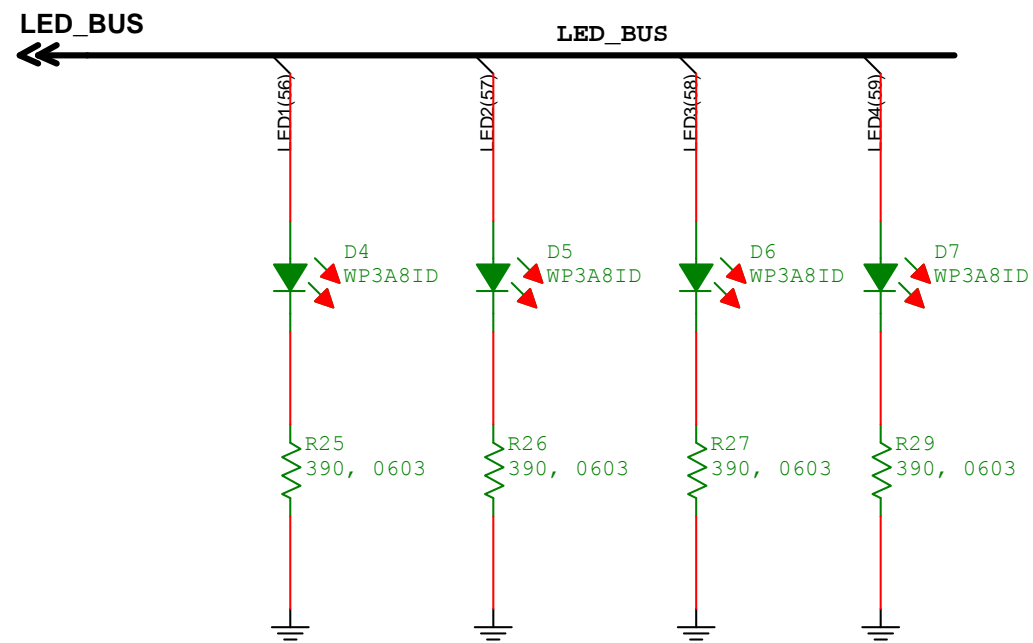
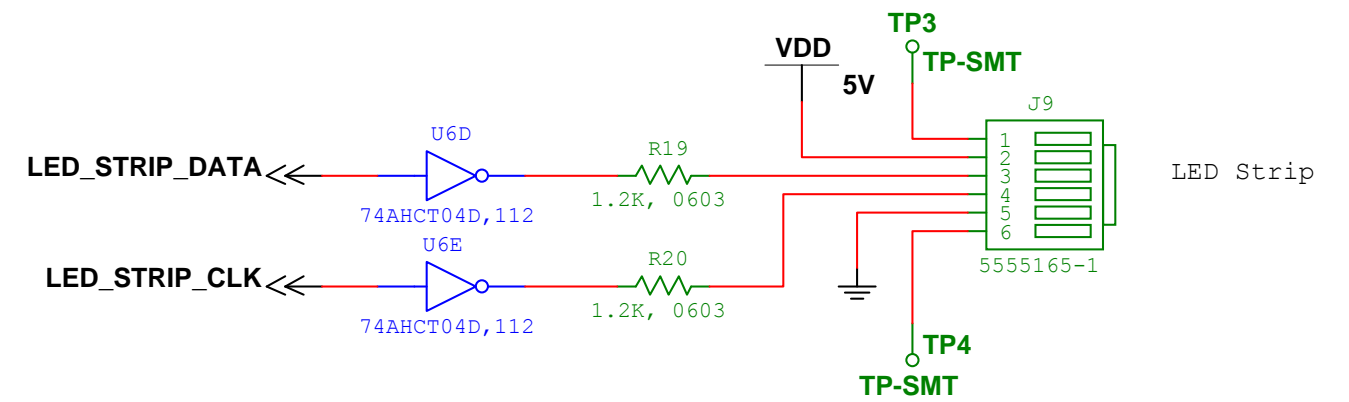
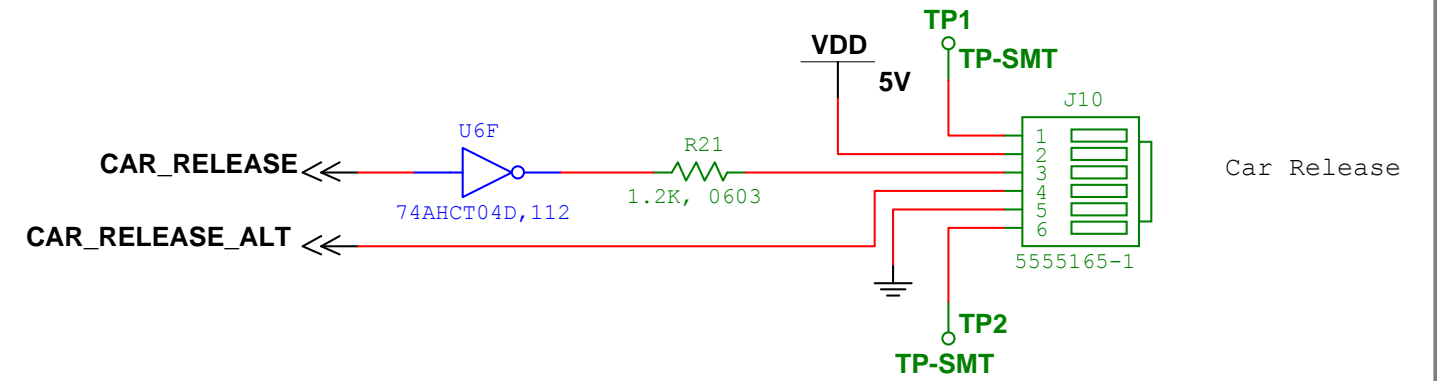
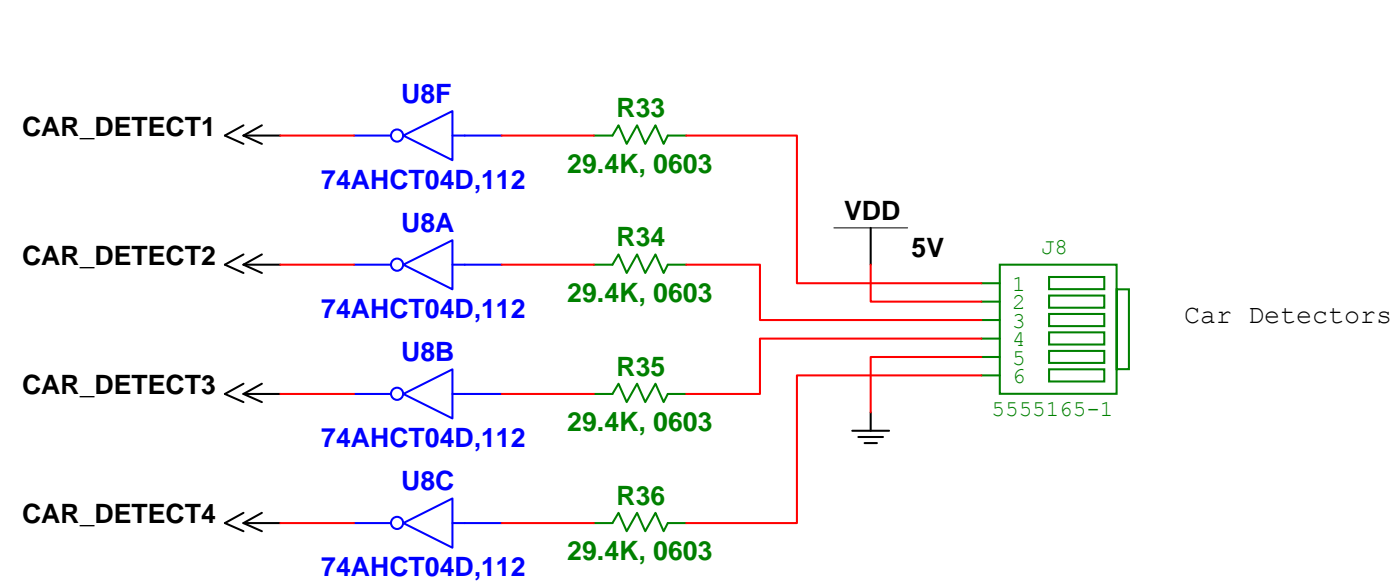
Microcontroller

conn 3 vs 5 voltage
DECOUP CAPS
psu current



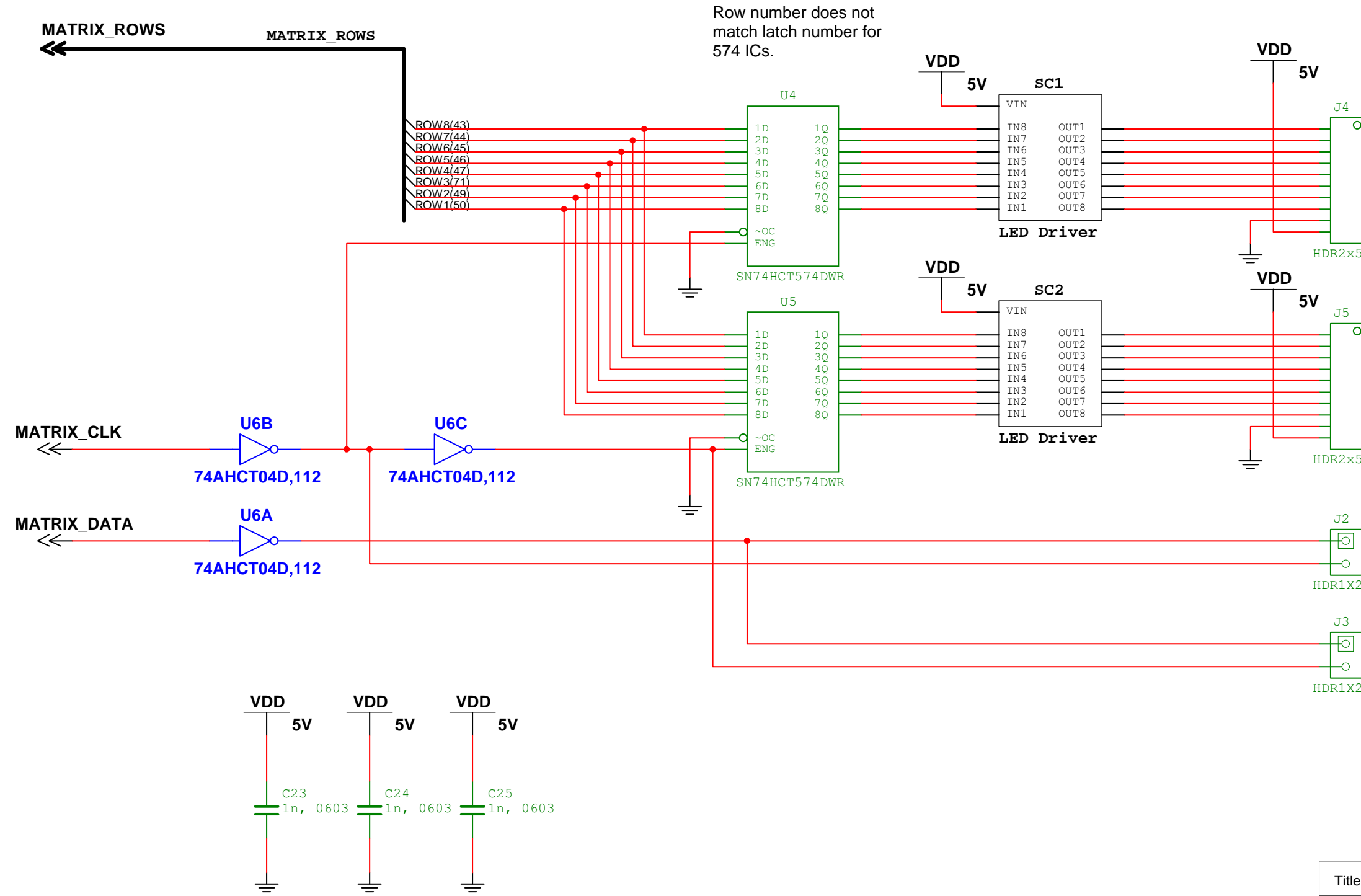
Title: MATRIX_InterfaceBoard			
Author: Mark Wylie			
0001	A	Sheet 2 of 7	

I/O

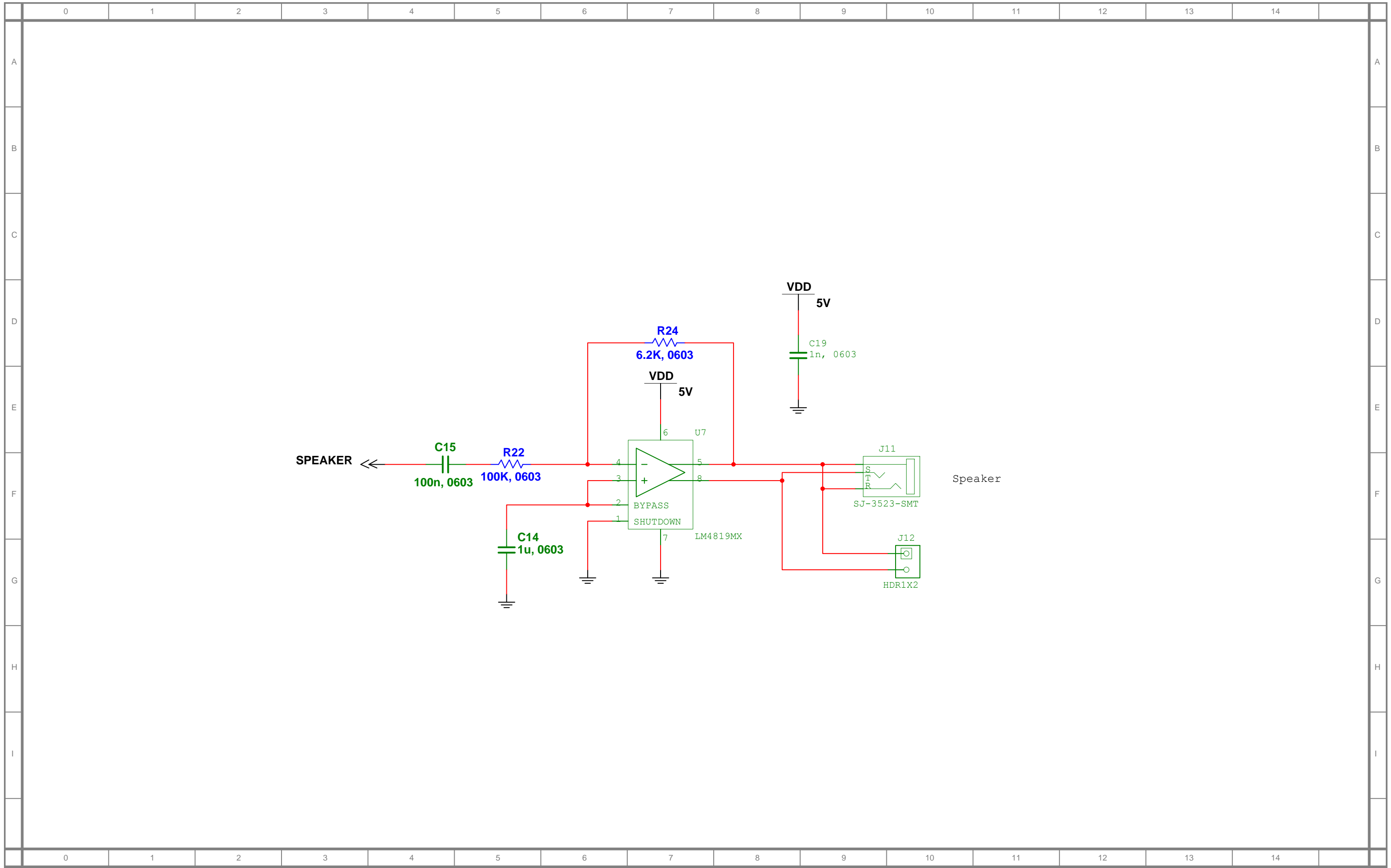


Title: MATRIX_InterfaceBoard				
Author:				
0001	1.0	Sheet	3	of 7

Matrix Driver



Title: MATRIX_InterfaceBoard				
Author:				
0001	1.0	Sheet	4	of 7



SPEAKER <<<

C15
100n, 0603

R22
100K, 0603

R24
6.2K, 0603

VDD
5V

VDD
5V

C19
1n, 0603

C14
1u, 0603

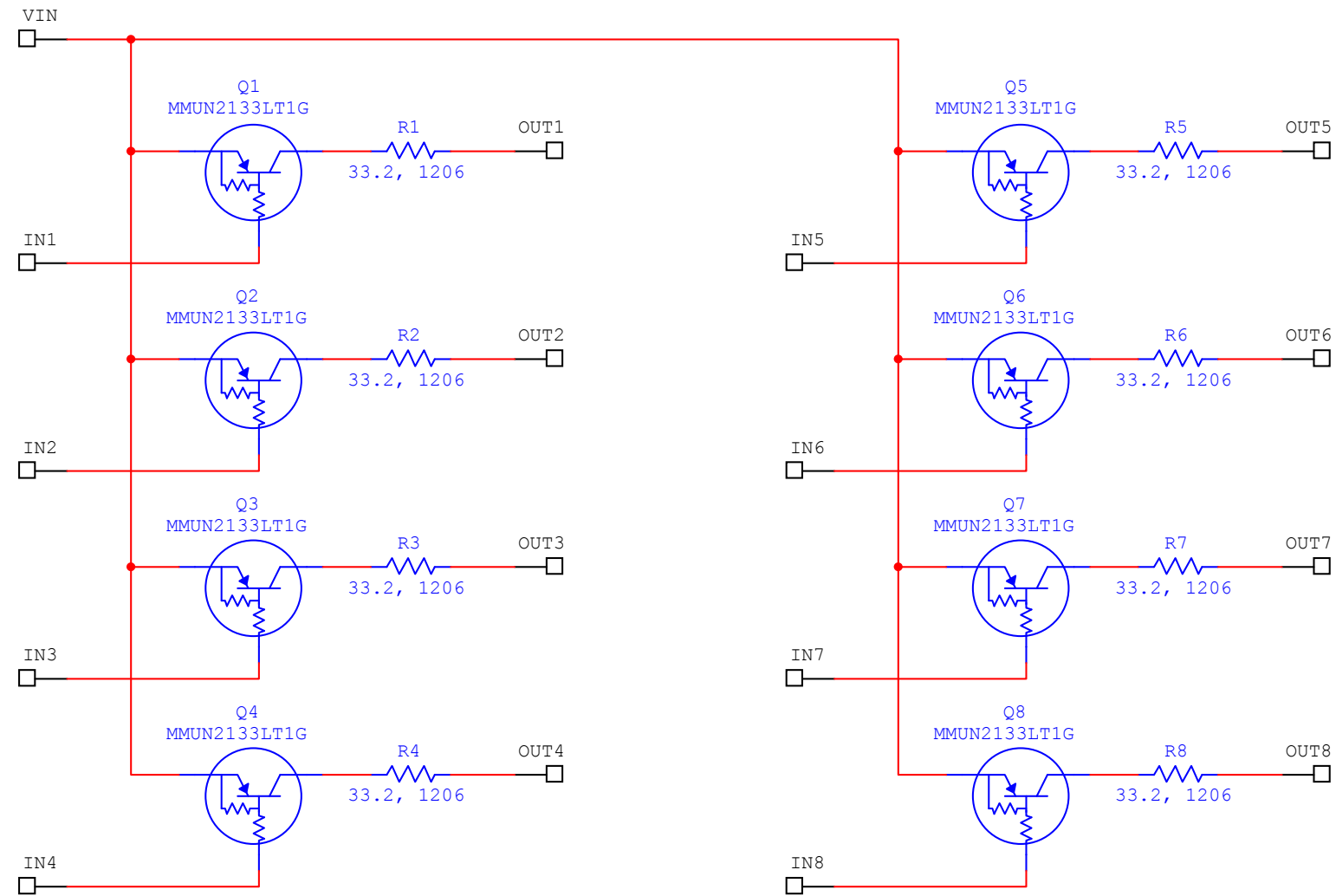
U7
LM4819MX

J11
SJ-3523-SMT

Speaker

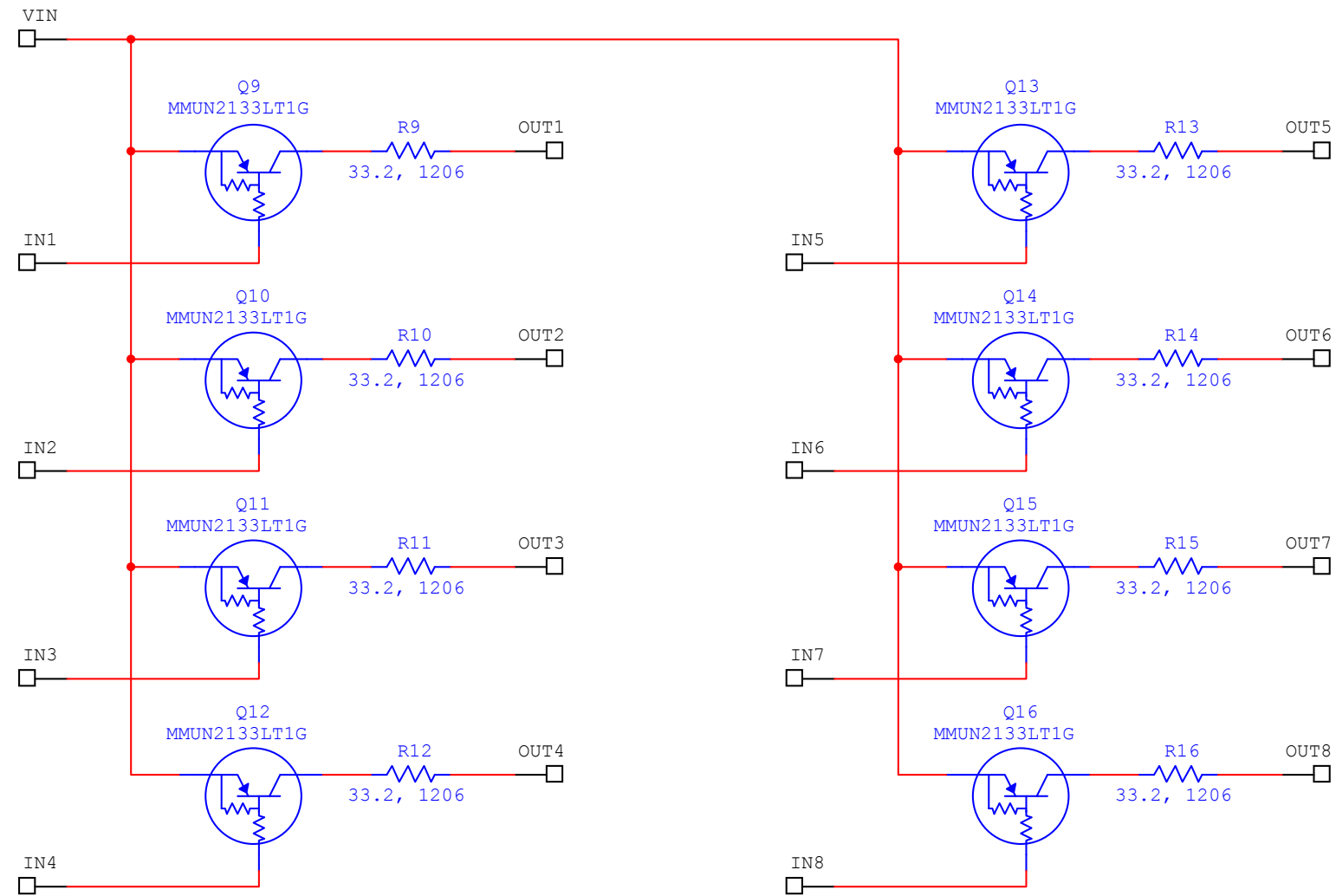
J12
HDR1X2

Line Drivers (Lower)



Title: LED Driver(SC1)			
Author:			
0001	1.0	Sheet 6 of 7	

Line Drivers (Lower)



Title: LED Driver(SC2)			
Author:			
0001	1.0	Sheet	7 of 7