

A

B

C

D

E

F

G

A

B

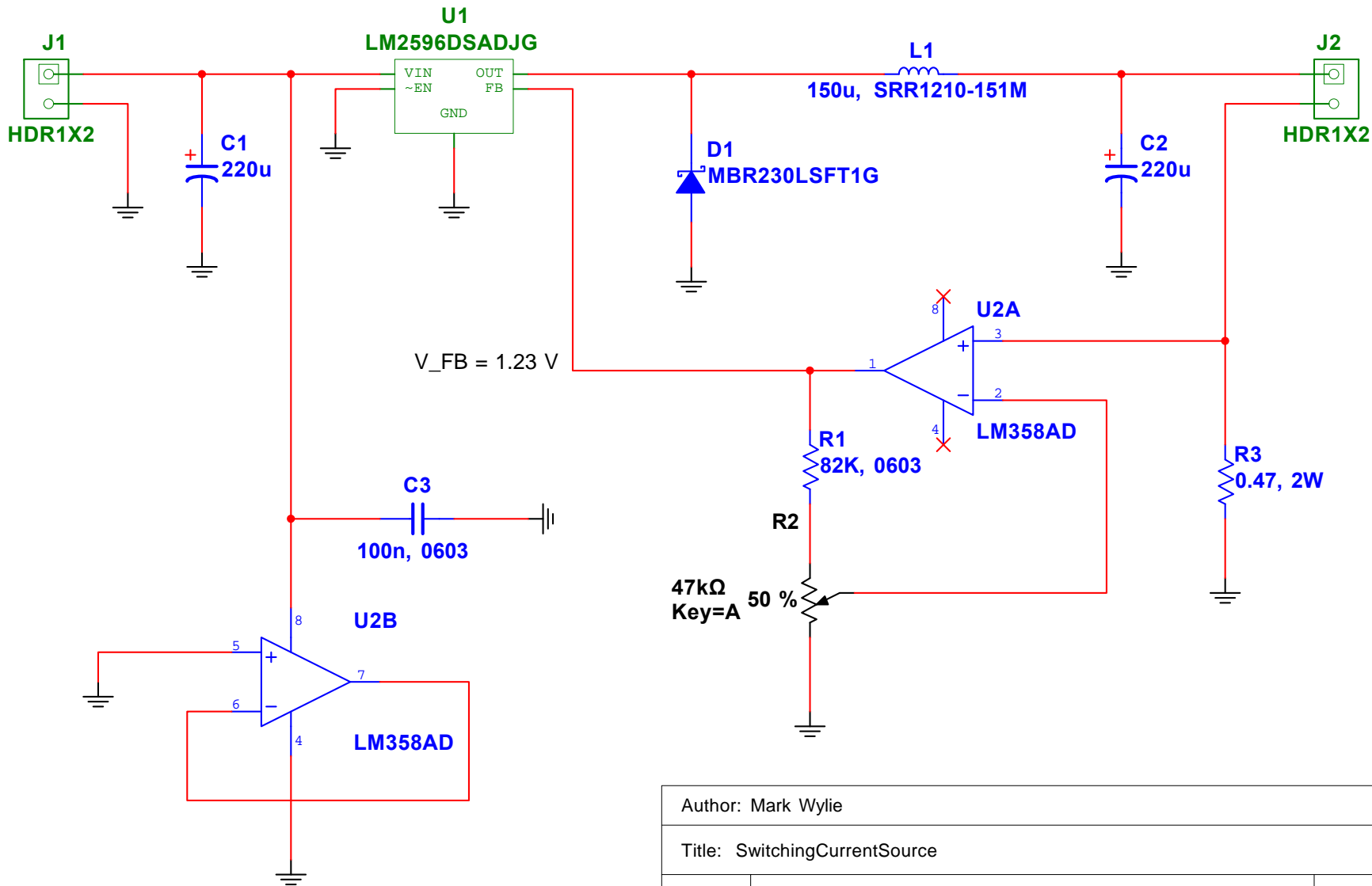
C

D

E

F

G



Notes: Grounds from U1, U2, R2, and R3 should connect at a single location close to R3.

Author: Mark Wylie		
Title: SwitchingCurrentSource		
Size: A	Document N: 0001	Revision: 1.0
Date: 2013-09-17	Sheet 1 of 1	