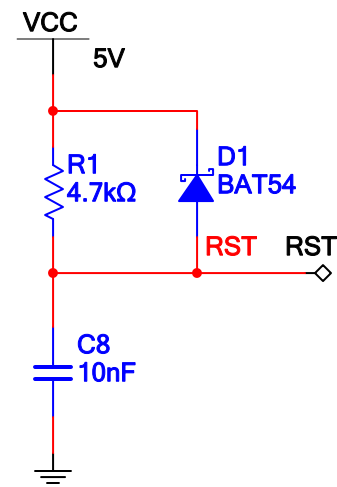
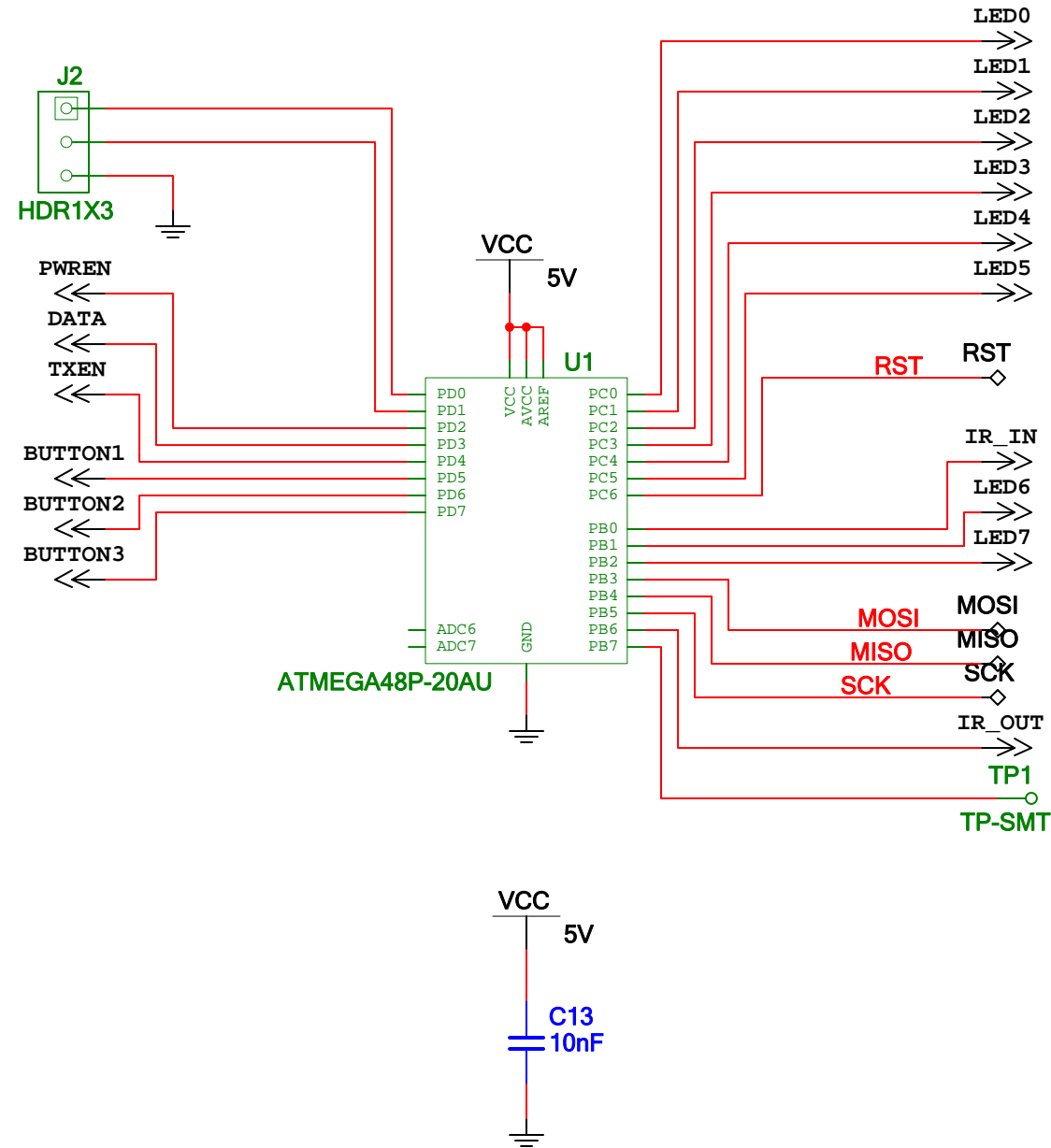


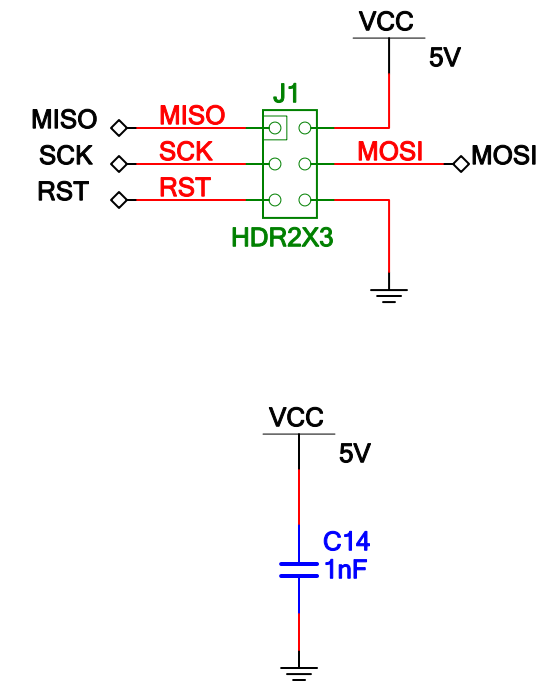
Reset Circuit



Microcontroller

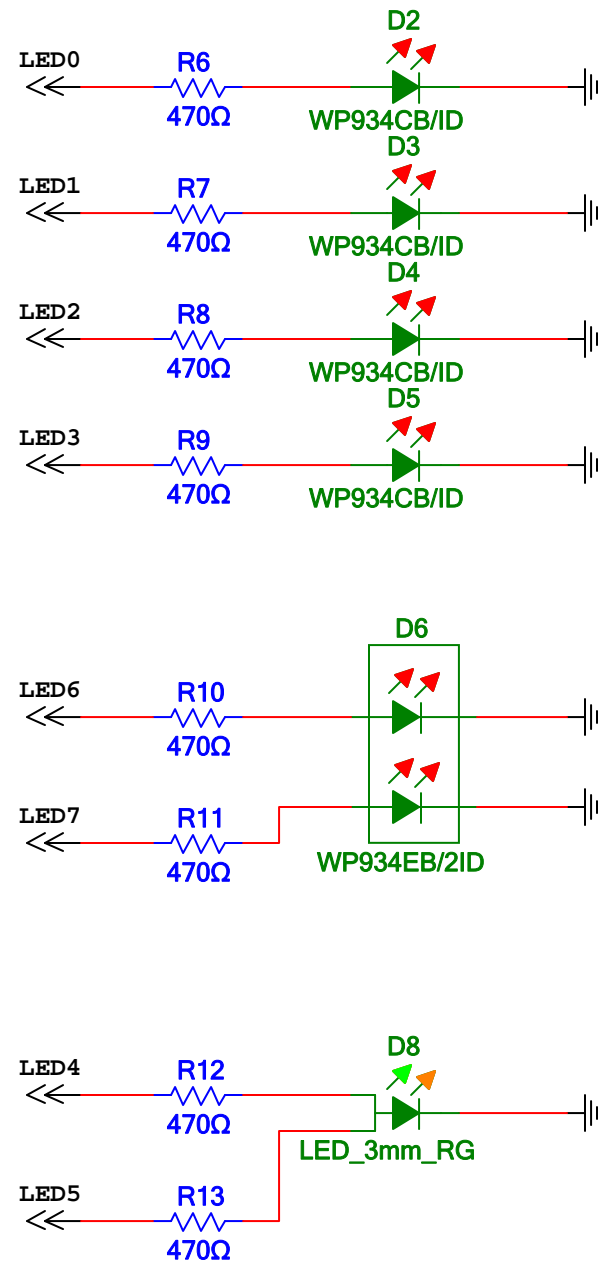


ISP Programming interface

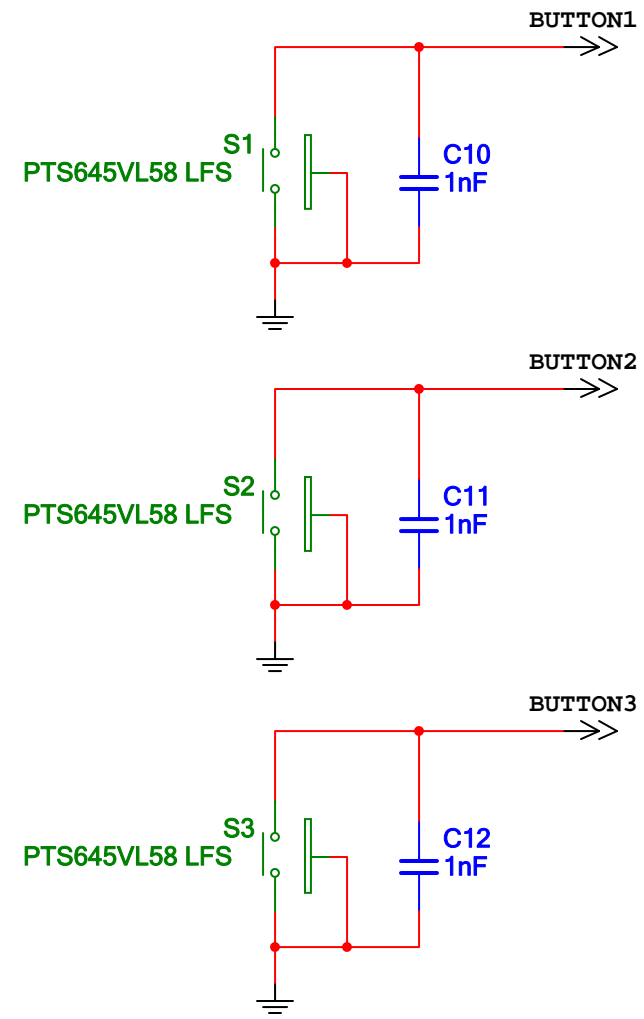


Title: board1		
Size: B	Document N: 0001	Revision: 1.0
Date: 2011-07-13	Sheet 1 of 4	

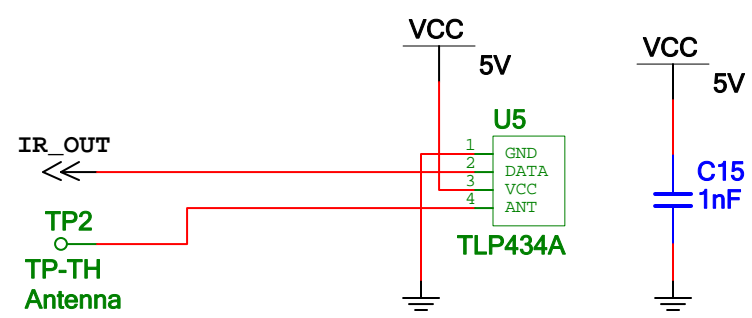
LEDs



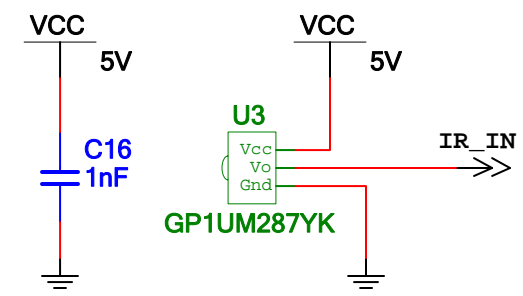
Push Buttons



434MHz ASK Transmitter



Infrared Receiver



RF Board Interface

